

(Speech Recognition)

r.samadi@gmail.com

me.h005@gmail.com

(Speech Recognition)

:

(Speech Recognition)

:

(
(
(

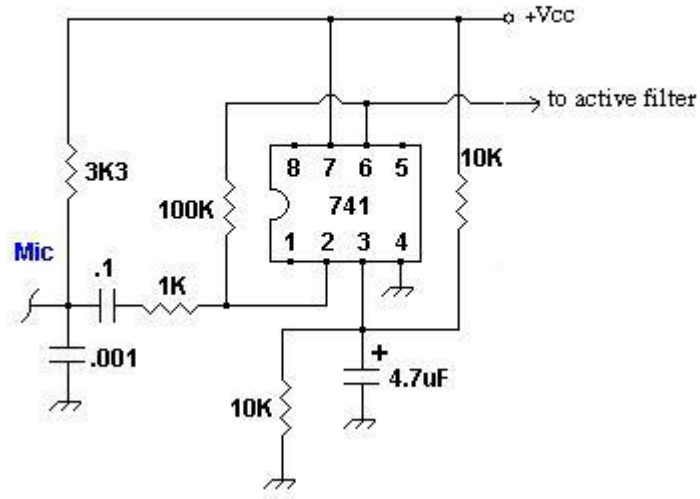
ADPCM

(Playback)

:

(
(

()



()

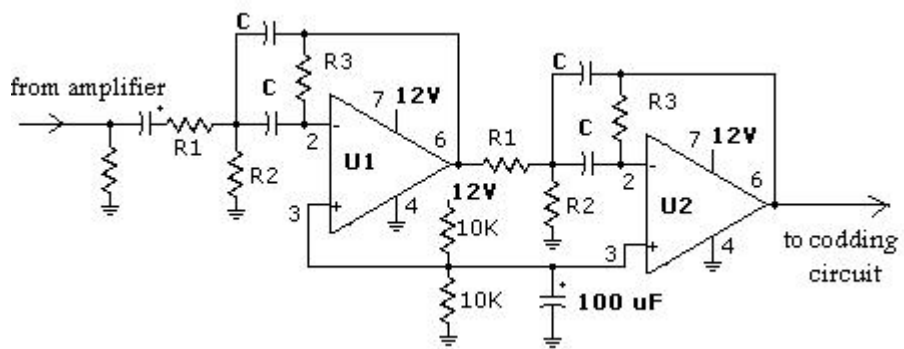
(

750 Hz
750 Hz

)

(

Time honoured multiple feedback bandpass
R1 , R2 , R3



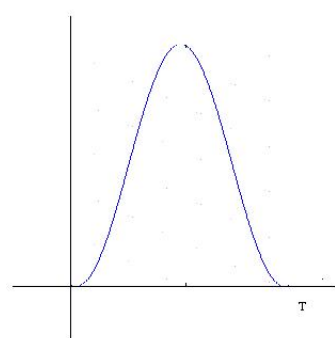
()

: (

3KHz 300 Hz

$$T_{\min} = \frac{1}{3\text{KHz}} = 0.333\text{m sec}$$

$$\Rightarrow \frac{1}{2} T_{\min} = 0.167\text{m sec}$$



()

0.167msec

3KHz

24KHz

$$2 \times 3\text{KHz} \times 4 = 24\text{KHz}$$

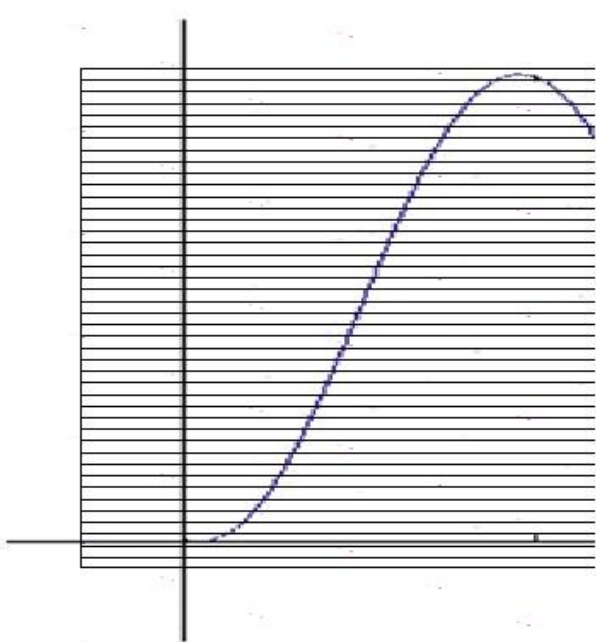
24KHz

24KHz

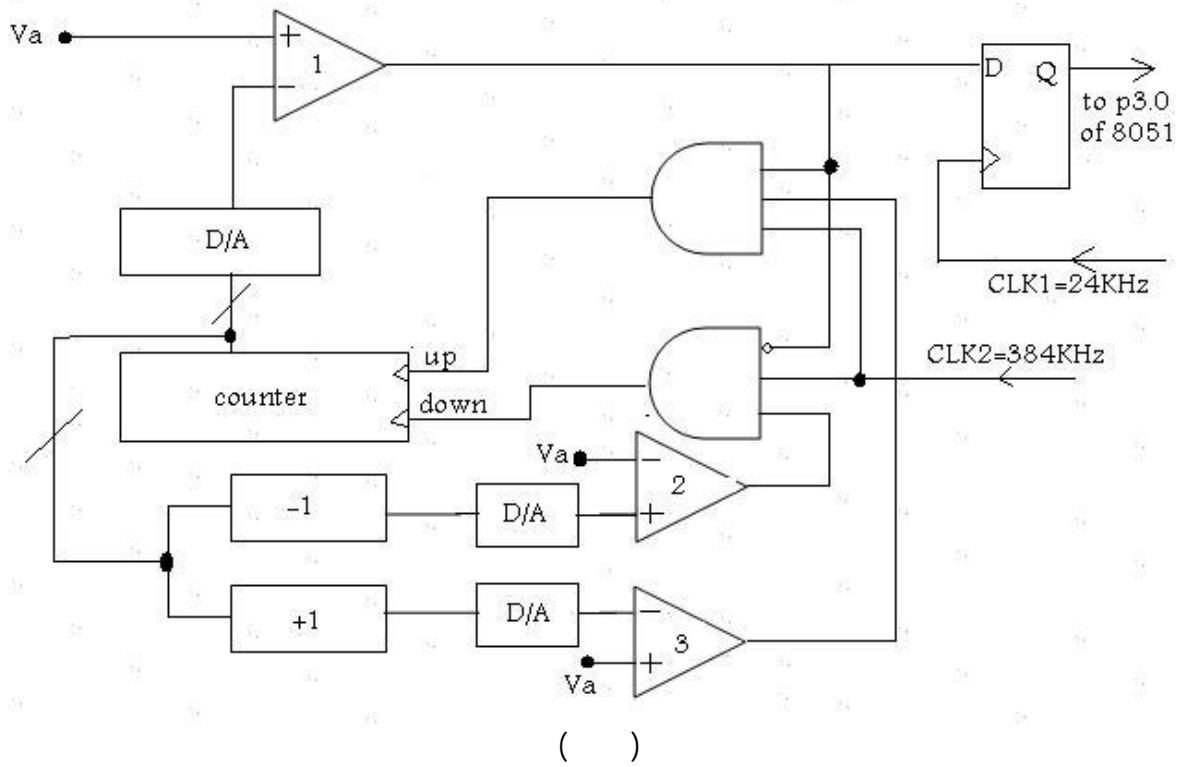
384KHz

$$\frac{1}{0.167\text{m sec}} \times 64 = 384\text{KHz}$$

()



384KHz



(

(INT0 & INT1)

(p3.2)

(p3.0)

$$F_{MC} = \frac{1}{12} F_C$$

$$F_C = 11.0592 \text{ MHz}$$

$$\Rightarrow F_{MC} = 0.9216 \text{ MHz}$$

$$\frac{F_{MC}}{F_{CLK1}} = \frac{921.6 \text{ KHz}}{24 \text{ KHz}} \cong 38$$

24MHz

$$\frac{3.47}{16} = 0.217 \text{ sec}$$

.[]

:

- 1) Mohammad Ali Mazidi , Janice Gllipsie Mazidi , "The 8051 Microcontroller , And Embedded Systems" , Printice-Hall , 2000 , London .
- 2) <http://www.electronics-tutorials.com/HOME> > [FILTERS](#) > ACTIVE BAND PASS FILTERS